

GRINDING TEST MACHINE FOR FLAP DISCS



MACHINE TYPE
Automatic

NOISE
83 dB

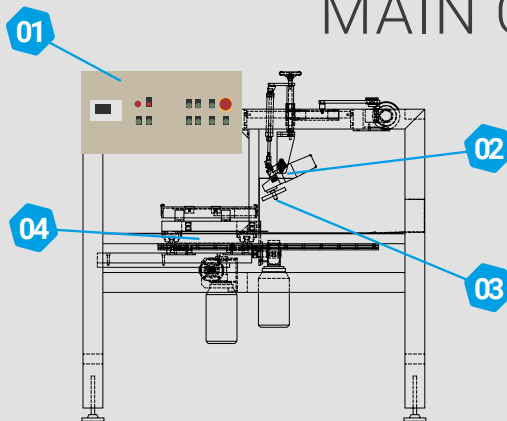
DIMENSIONS
Width: 1620 mm
Depth: 1050 mm
Height: 1800 mm

WEIGHT
250 Kg

**DEGREE OF OF CON-
TROL PANEL**
IP 55

OPERATION
Electromechanical

MAIN COMPONENTS



- 01** Electric control panel
- 02** Grinding power tool
- 03** Adjustable loads
- 04** Bracket for test metal plate

PRODUCTION PERFORMANCES

Supply voltage	400 V ac
Frequency	50 - 60 Hz
System	Three-phase + earth + neutral
Auxiliary voltage	24 V
Required power	4 kW
Absorbed power	3,5 kW

PNEUMATIC PLANT CHARACTERISTICS

Maximum required pressure	10 bar (1 Mpa)
Operating pressure	3 bar (0,3 Mpa)
Air consumption	10 litres/min